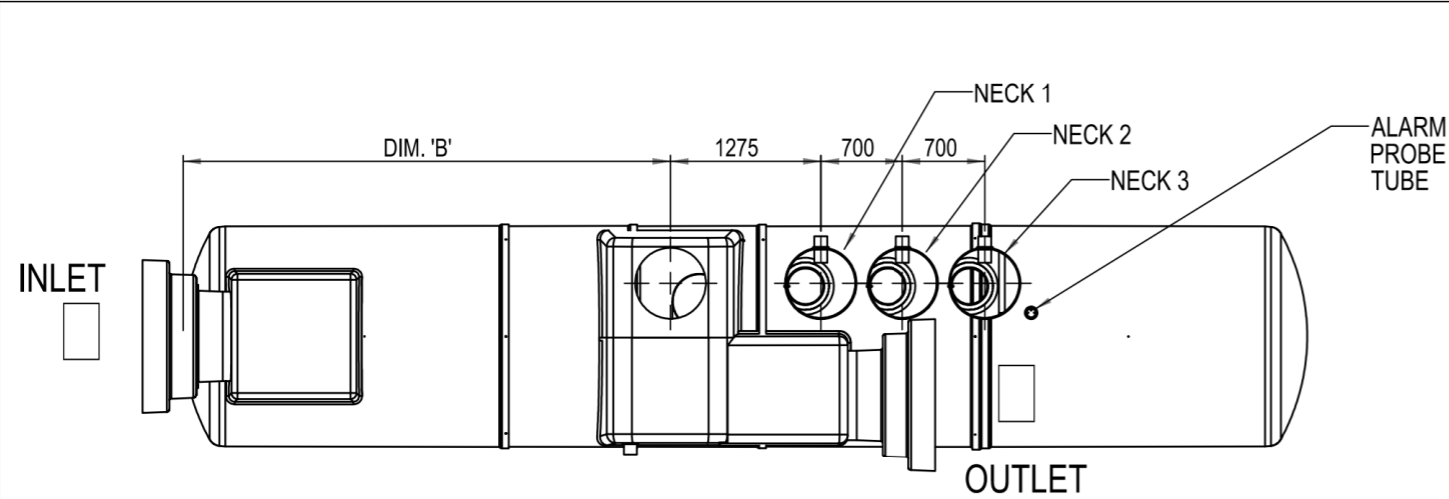
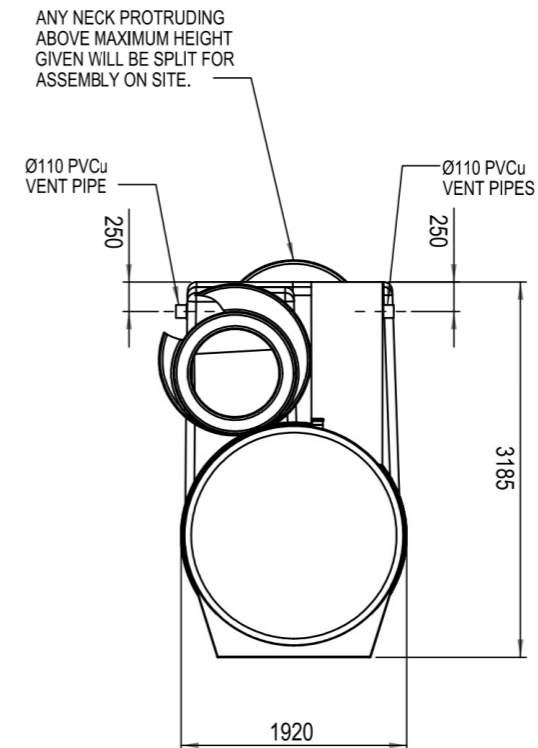
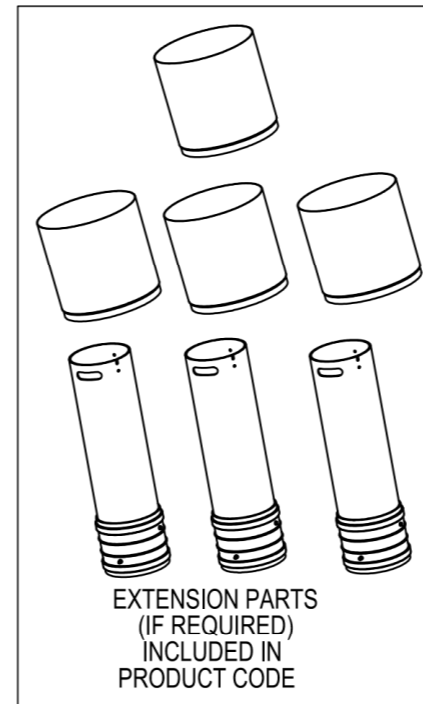
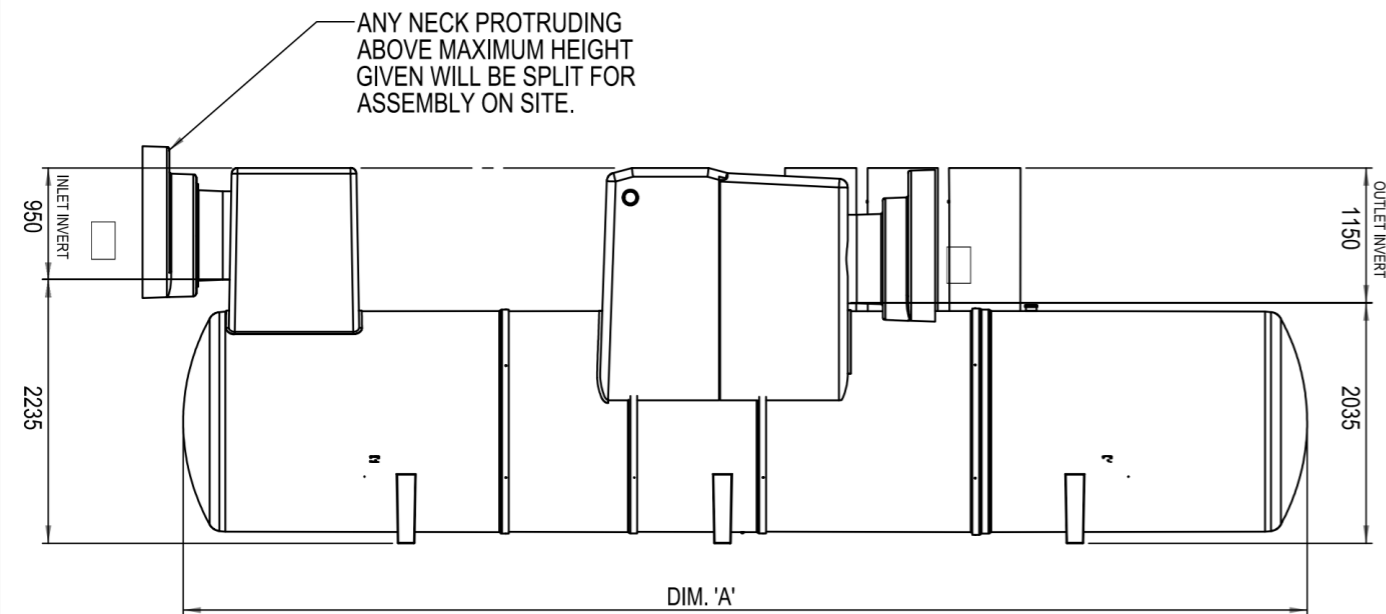


NOTES:
 All dimensions in metres.
 Do not scale from drawing.
 For any discrepancies found please consult with design office.
 This drawing is for PLANNING purposes only.
 Not for Construction.
 Product to manufacturers specification or similar & approved



- NOTES**
1. UNITS ARE SUPPLIED WITH THE STANDARD (MINIMUM) PIPEWORK SIZE, AND ORIENTATION SHOWN ON THE DRAWING. THE STANDARD EN858-1 STATES MINIMUM CONNECTION SIZES, UNITS ORDERED WITH DIFFERENT SIZE CONNECTIONS MAY NOT BE FULLY COMPLIANT WITH THE STANDARD. PLEASE CONSULT OUR SALES DEPARTMENT FOR DETAILS OF AVAILABLE OPTIONS, BUT PLEASE NOTE WE DO NOT ALTER INTERNAL PIPEWORK.
 2. ALL UNITS SUPPLIED ARE CLASS 1 AND INCLUDE A COALESCER.
 3. EXTENSION PARTS FOR DEEPER INVERTS CAN BE PROVIDED FOR ON SITE ASSEMBLY.
 4. ALL UNITS REQUIRE APPROPRIATE CONCRETE BASE, COVER AND FRAME TO SUIT APPLIED LOADINGS.
 5. THIS DRAWING SHOULD BE USED FOR DIMENSIONAL INFORMATION ONLY.
 6. A Ø76mm TUBE IS SUPPLIED TO HOUSE AN OIL ALARM PROBE.



UNIT	NOMINAL FLOW (l/sec.)	DIM.'A' (mm)	DIM.'B' (mm)	STD. PIPE Ø (mm)	NECK 1 FITTED	NECK 2 FITTED	NECK 3 FITTED	APPROX. EMPTY WEIGHT (kg)	FALL ACROSS UNIT
NSBE075	75.0	5841	2333	675				1122	200
NSBE100	100.0	7661	3122	750				1300	200
NSBE125	125.0	9548	4136	750	1560				200

Please Check with Environmental Treatment Systems Limited For The Latest Issue Of This Drawing		Material : Unfilled Spray	Tolerance (unless stated) : ±0.5mm	Drawing : DS1225	Page 1 of 2
Issue Date	Drawn by	Approved by	Description		
01.03.14	T.Kelly		CC881 Phase 3 - Sales Issue	Weight : 4.62kg Min	Surface Area : EXT 2.02 m²
All Dimensions In mm		Scale: Do Not Scale		NSBE075 - NSBE125 Bypass Separators	
R:\Drawing Data\02 - Sales Drawings\DSIDS - 12\DS1225		Third Angle Projection		Kingspan Environmental reserve the right to alter the details of this drawing without prior notice. This drawing is copyright and may not be reproduced or used without the written permission of Kingspan Environmental	

By.	Date.	Description.

Drawing Status: Planning

Project Title: Residential Development at Inch/Coolgrean Port Road Killarney

Drawing Title: Hydrocarbon Interceptor Standard Construction Details

Client: Portal Asset Holdings Ltd

M.H.L & Associates Ltd.
 Consulting Engineers
 Unit 1b,
 The Atrium,
 Blackpool,
 Cork
 Tel: 021-4840214
 Web: www.mhl.ie
 E-Mail: info@mhl.ie




Designed: DM	Drawn: PK	Checked: BM
Date: APRIL 2024		
Job No: 18137HD	Drawing No: PR-MHL-SCD-P12	Revision: